

THERMOL

THERMAL TREATMENT



VAN DER MOLEN
PROCESS SYSTEMS

THERMOL – the process solution for thermal treatment of the product at various stages of the production process. The unit is manufactured for several applications, from pasteurization to ultra heat treatment (UHT). Depending on the treated product, THERMOL can be constructed on the basis of a plate heat exchanger or on a tubular heat exchanger.

BENEFITS

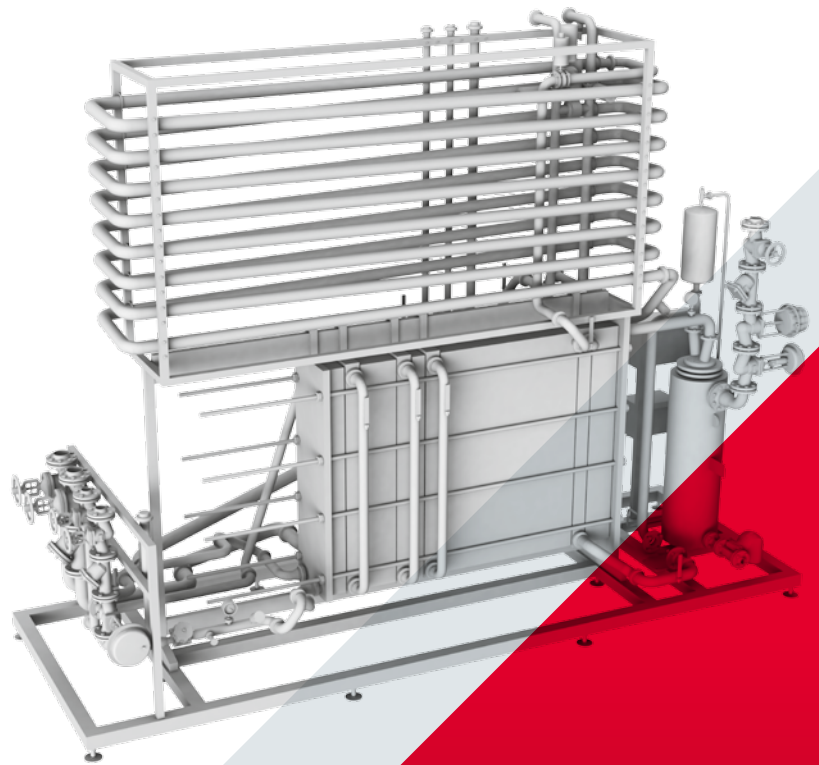
- Efficient usage of energy through heat recovery
- Minimized product losses
- Enables high quality treatment of the produced product
- High degree of automation
- Compact design
- Manufactured using high quality material

PROCESS ENHANCEMENT

- Thermal treatment aligned with the process
- Low wear and high reliableness
- Continuous monitoring
- Recording of production data
- Existing CIP integration
- Easily integrated into existing equipment

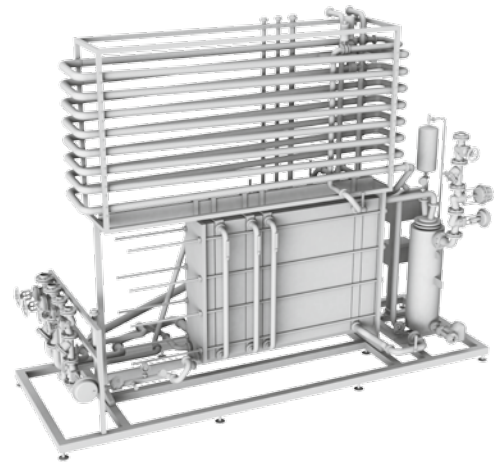
RECOMMENDED BEVERAGES

- Carbonated Drinks
- Non-Carbonated Drinks
- Near-Water



THERMOL

THERMAL TREATMENT



TECHNICAL DATA

Nominal Capacity (Standard)	2,000–40,000 l/h
Range of Capacity	40–100% of nominal capacity
Pasteurization	Up to 85°C
Holding Period Pasteurization	Up to 6 min
Ultra Heat Treatment (UHT)	Up to 150°C
Holding Period UHT	Up to 6 s
Software	VDM application software
Material (Product Wetted)	AISI 304 or optional AISI 316L
Control, Operation and Visualization	Siemens S7 and TIA Portal/Allen-Bradley



VAN DER MOLEN

Process Systems

Industriestraße 34a · 86438 Kissing · Germany

Tel.: +49(0)8233 7927 160 · sales@van-der-molen.com · www.van-der-molen.com